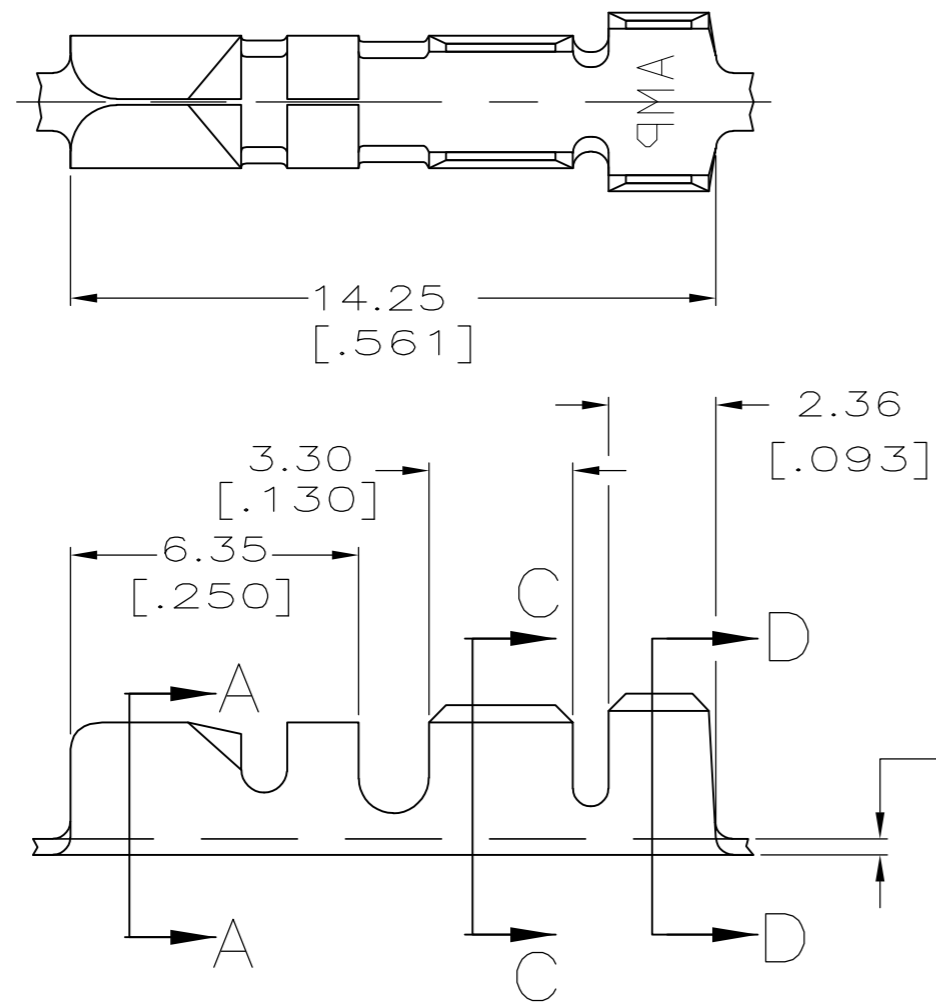


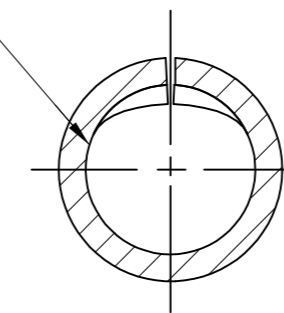
THIS DRAWING IS UNPUBLISHED. RELEASED FOR PUBLICATION
 © COPYRIGHT BY TYCO ELECTRONICS CORPORATION. ALL RIGHTS RESERVED.

LOC		DIST		REVISIONS			
P	LTR	DESCRIPTION	DATE	DWN	APVD		
		J		REVISED PER ECR-07-017666	30JUL07	MF	DD

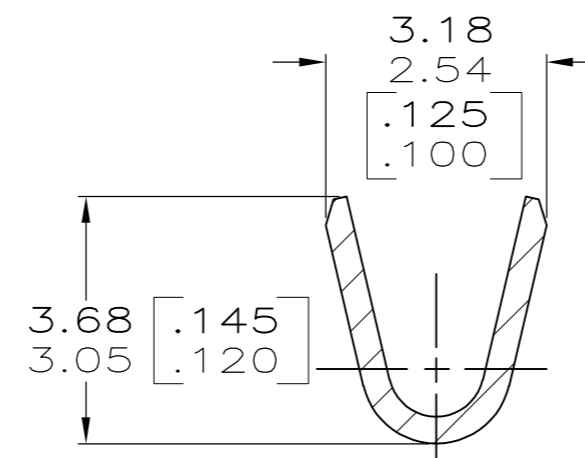
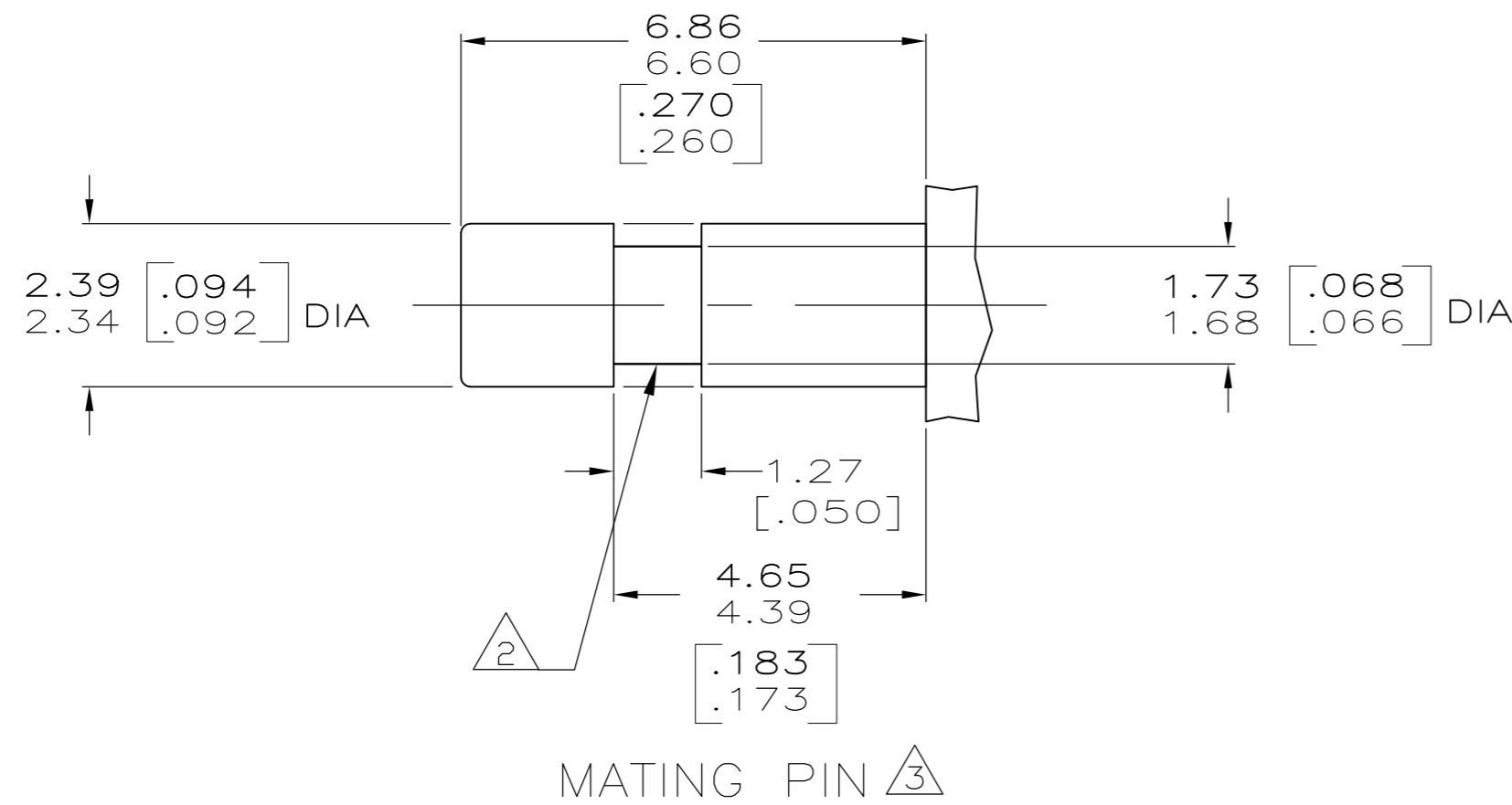
- 1 CONTINUOUS STRIP ON REELS.
- 2 INDENT IS OPTIONAL ON PIN.
- 3 MATING PIN IS TIN PLATED.
- 4 METHOD OF FASTENING PIN TO BE DETERMINED BY CUSTOMER.
- 5 WIRE RANGE: 0.8-1.3mm² [#18-#16] AWG.
- 6 INSULATION RANGE: 2.29-3.05mm [.090-.120] DIA.
- 7 PRELIMINARY - NOT FOR PRODUCTION.



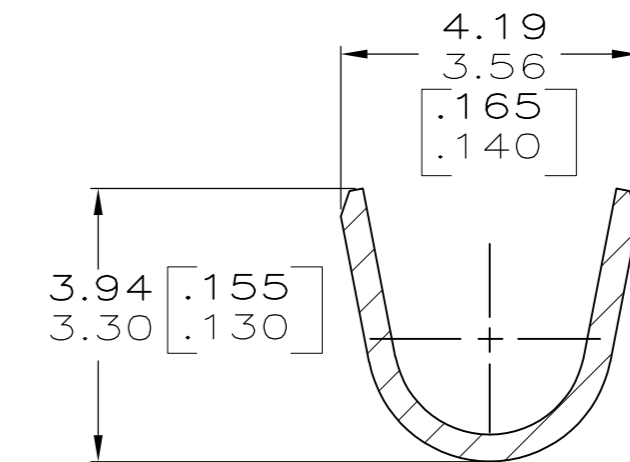
FITS 2.36 [.093] DIA PIN



SECTION A-A
SCALE 10:1



SECTION C-C
SCALE 10:1



SECTION D-D
SCALE 10:1

	0.00381 [.000150] MIN NICKEL PLATE	H04 BRASS	7 42101-4
OBSOLETE	0.002032 [.000080] MIN TIN PLATE	H04 PHOSPHOR BRONZE	42101-3
	0.002032 [.000080] MIN TIN PLATE	H04 BRASS	42101-2
OBSOLETE	-	H04 BRASS	42101-1

FINISH		MATERIAL		PART NUMBER	
THIS DRAWING IS A CONTROLLED DOCUMENT.		DWN M.S. FEHER 30JUL2006		7 42101-4	
CHK D.F. DECKER 30JUL2007		D.F. DECKER 30JUL2007		42101-3	
APVD D.F. DECKER 30JUL2007		D.F. DECKER 30JUL2007		42101-2	
PRODUCT SPEC		APPLICATION SPEC		42101-1	
MATERIAL SEE TABLE		FINISH SEE TABLE		CUSTOMER DRAWING	
DIMENSIONS: INCHES		TOLERANCES UNLESS OTHERWISE SPECIFIED:		SCALE 5:1	
0 PLC ± -		1 PLC ± -		SHEET 1 of 1	
1 PLC ± -		2 PLC ± -		REV J	
2 PLC ± -		3 PLC ± 0.38 [.015]			
3 PLC ± -		4 PLC ± -			
4 PLC ± -		ANGLES ± -			